

Specification

Customer:	
Customer P/O	
SY Part No	SPU1040AOH07T/R
Issue No	SY-TE U-01-001-A
Issue Date	03/28/2009

Approval items:

- A, Scope
- B, Characteristics
- C, Technical terms
- D, Drawing
- E, Beam Pattern
- F, Test Circuit

Approval signature:

DIS.	CHEC.	APPR.

A. Scope

This specification applies Ultrasonic sensor SPU1040AOH07T/R

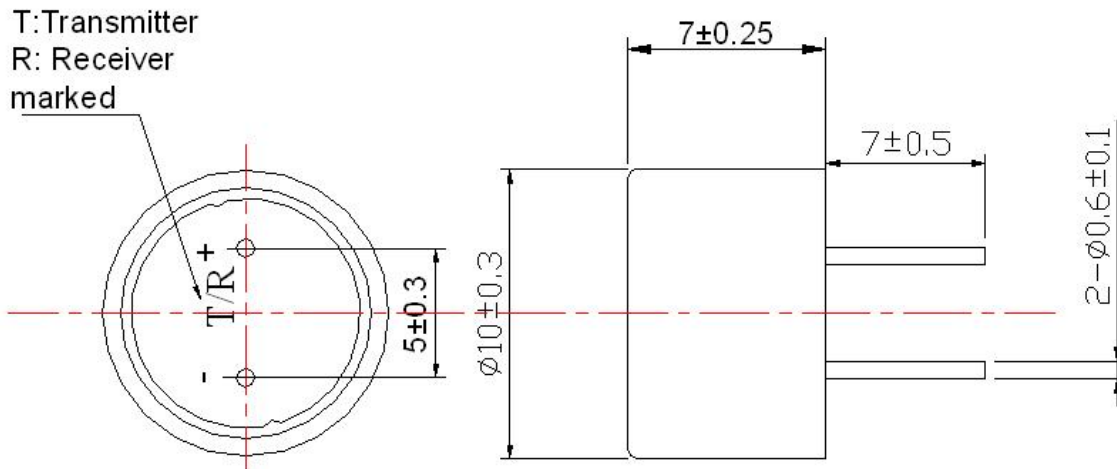
B. Characteristics

- 1.1) Open structure and separate use
- 1.2) Compact and light weight
- 1.3) High sensitivity and sound pressure
- 1.4) Less power consumption
- 1.5) High reliability

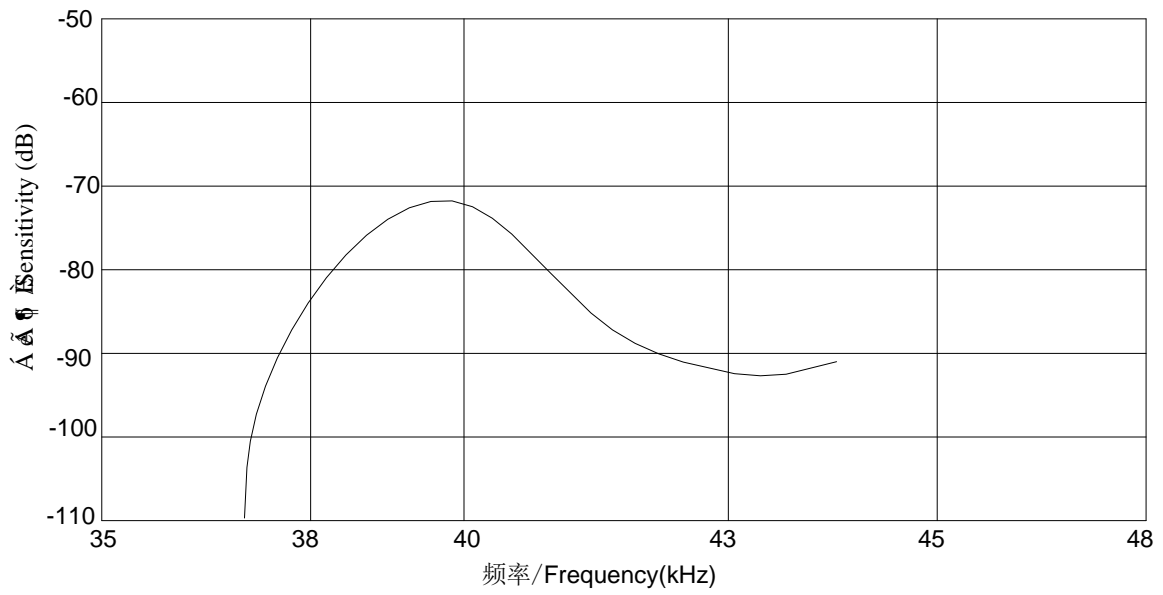
C. Technical terms

No.	Item	Unit	Specification
1	Construction		Open
2	Using method		Transmitter/Receiver
3	Nominal Frequency	Hz	40K
4	Sensitivity		$\geq -75\text{dBV}/\mu\text{ Mbar}$
5	SPL	dB	≥ 105 (10V/30cm/sine wave)
6	Directivity		80deg
7	Capacitance	pF	$2400\pm 25\%$ @1KHz
8	Detectable range	m	0.2...6
9	Operating Temperature	°C	-20....+80
10	Housing material		Al

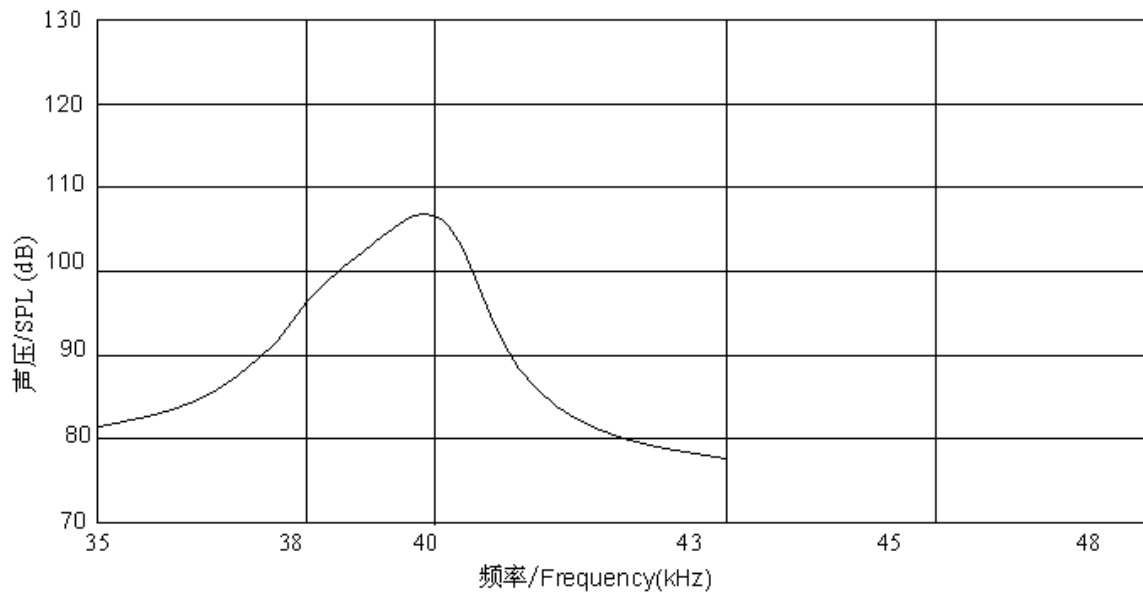
D. Drawing



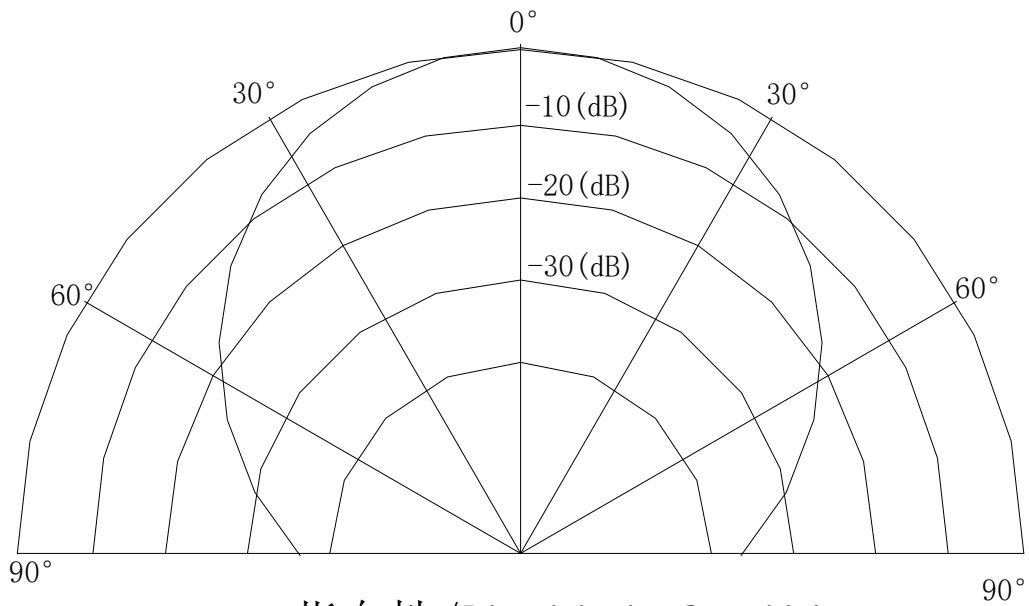
E. Beam Pattern



灵敏度-频率特性图/Sensitivity-Freq.Characteristics



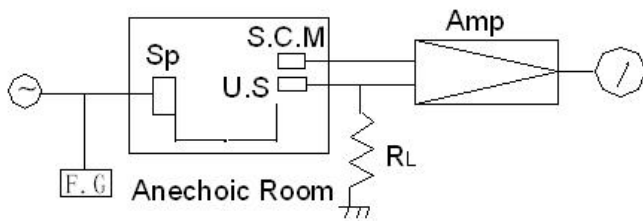
声压-频率特性图/SPL-Freq.Characteristics



指向性/Direcivity in Sensitivity

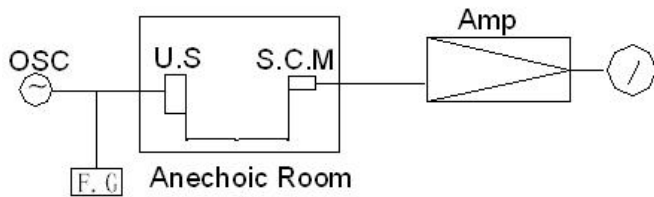
F. Test Circuit

Receiver



RL: $3.9K\Omega$
 U.S :Ultrasonic Sensor
 S.C.M:Standard Cappacitor Microphone
 Amp. :Amplifier
 OSC. :Oscillator
 Sp :Tweeter
 F.C :Frequency Counter

Transmitter



U.S :Ultrasonic Sensor
 S.C.M:Standard Cappacitor Microphone
 Amp. :Amplifier
 Input voltage:10Vrms
 F.C :Frequency Counter